

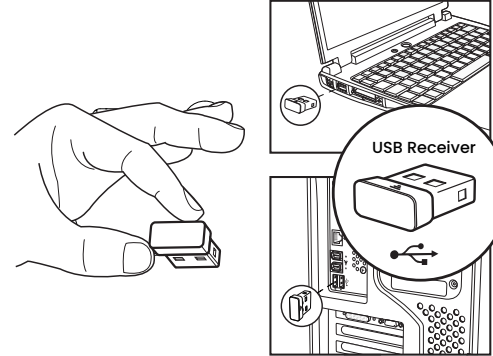
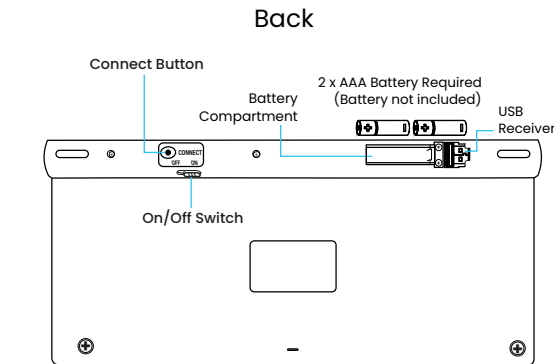
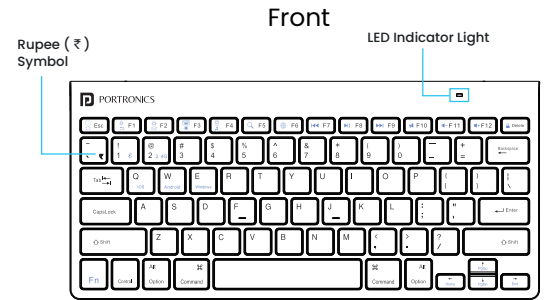


BUBBLE MAX

Wireless Keyboard



User Manual



Technical Specifications :

Power Supply	2 x AAA Battery (1.5 V x 2)
Wireless Connectivity	2.4 GHz & Bluetooth 5.3
Working Distance	10 feet
Drivers	No Drivers Required
Material	ABS Plastic
Product Weight	285 grams
Product Dimensions	285 mm x 132 mm x 18 mm
Compatible Operating Systems	Windows 10 or higher Android 9.0 or higher iOS 12 or higher
Number of Keys	78 keys

What's Inside the Box

- 1 x Wireless Keyboard
- 1 x USB Receiver (inside the battery compartment)
- 1 x User Manual
- 1 x Warranty Card

Powering On/Off

The wireless keyboard requires 2 AAA batteries for power (batteries are not included with the keyboard). To power on the keyboard, slide the On/Off Switch to the On position. You will notice that the red LED light illuminates for a duration of 2 seconds. To power off the keyboard, simply slide the switch to the Off position.

Switch between Bluetooth & 2.4 GHz Modes

- Press Fn key + 1 to switch to Bluetooth Mode.
- Press Fn key + 2 to switch to 2.4 GHz mode.

Pairing via 2.4 GHz Wireless USB Receiver

- Turn on the keyboard.
- Insert the USB Receiver into your device.
- If the keyboard was previously in Bluetooth mode, press Fn key + 2 to switch to the 2.4 GHz Mode.
- You can now use the keyboard in 2.4 GHz Connectivity Mode.

Pairing via Bluetooth

- Turn on the keyboard.
- If the keyboard is in Bluetooth mode, proceed to the next step. If the keyboard is in 2.4 GHz mode, press Fn key + 1 to switch to Bluetooth Mode – the indicator light will switch on for 2 seconds.
- Press the Connect button, present at the back to enter the Bluetooth Pairing Mode – the indicator light will begin flashing when the keyboard is in this mode.
- Turn on the Bluetooth on the device (PC, Smartphone, or Tablet) you want to connect with the keyboard.
- Scan for "Bubble Max" on your device and connect with it.
- The keyboard is now connected to your device and can be used.

Auto Sleep Mode

After 10 minutes of inactivity, the keyboard will enter sleep mode. Press any key to wake it up.

Factory Reset

- Press and hold the J, T, and H keys together for 3 seconds to clear all paired devices.
- When the indicator light flashes, the keyboard will be restored to its default settings.

Do's and Don'ts

- The device's battery life varies by battery brand, usage, and environmental factors. We recommend using heavy-duty AAA batteries from reputable brands.
- Ensure the device remains dry and is shielded from rain, humidity, liquids, and condensation.
- Store the equipment within moderate temperature ranges; avoid high or low extremes.
- Do not use the device with wet hands.
- Do not use or store the device in dusty or dirty areas.
- Do not drop, knock or shake the device.



www.portronics.com

For Support

Visit : www.portronics.com

Email : help@portronics.com

Contact No. : +91 9555245245, 011-42413131

(Working Hours. : Monday - Saturday 10:00am - 6:00pm)



E-waste Management

Email - info@3recycler.com

For E-waste & ROHS compliance refer to <http://www.portronics.com/ewaste.html>