



## POWER SHUTTER HOME

Wireless Magnetic Power Bank

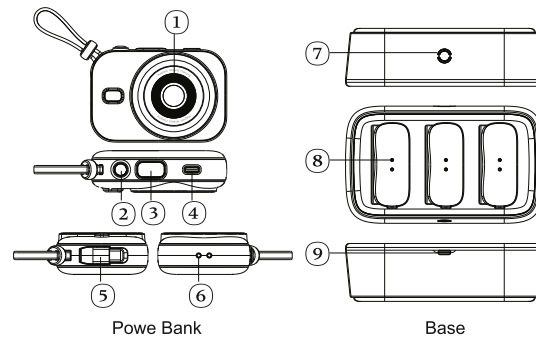


**22.5W**  
TOTAL OUTPUT

**10000mAh**  
POWER BANK

User Manual

### 1. PRODUCT OVERVIEW



- ① Wireless Charging
- ② Power Button
- ③ LED Digital Display
- ④ USB-C Input / USB-C Output
- ⑤ USB-C Cable Output
- ⑥ Pogo Pin Input
- ⑦ LED Indicator
- ⑧ Pogo Pin Output
- ⑨ USB-C Input

The Power Shutter Home Power Bank Combo is a high-performance portable charging solution designed for a wide range of digital devices. It features advanced wireless charging, multiple charging options, and intelligent power management to ensure safe and efficient power delivery.

#### Key Features:

- **Multi-Device Compatibility** : Support smart phones, tablets, earbuds etc.
- **Advanced Safety Features** : Built-in IC protection prevents overcharging, over-discharging, and short circuits.
- **High-Efficiency Charging** : Intelligent power management with a soft switch button ensures steady and optimized charging.
- **Magnetic Wireless Charging** : Enables seamless charging without the need for cables.
- **Built-in Charging Cables** : Integrated cables for added convenience.
- **22.5W Fast Charging** : Ensures rapid power replenishment for devices.
- **LED Digital Display** : Provides real-time power status updates.

- **Plug-in Charging with Pogo Pin Support** : Convenient docking and simultaneous charging capabilities.

### 2. Product Specifications

Capacity	10,000mAh x3
Power Bank Dimensions	90 x 63.3 x 27.5 mm
Base Dimensions	147 x 87 x 43 mm
Product Weight	750g (Power Bank + Base)
USB-C Input	DC 5V 3A / 9V 2A / 12V 1.5A
USB-C Output	DC 5V=3A/ 9V=2.2A/ 12V=1.67A/ 10V=2.25A
USB-C Cable Output	DC 5V=3A/ 9V=2.2A/ 12V=1.67A/ 10V=2.25A
Pogo Pin Input	DC 5V=2A / 9V=2A / 12V=1.5A
Pogo Pin Output	DC 5V=2A / 9V=2A / 12V=1.5A

Base USB-C Input	DC 5V 3A / 9V 3A / 12V 3A
Base Total Output	36W Max
Wireless Charging	5W / 7.5W / 10W / 15W
Charging Indicator	Blue breathing light during charging, steady green light when fully charged.

### 3. POWER DISPLAY & CHARGING INSTRUCTIONS

#### 3.1 Displaying Power Status

- Press the control button lightly to activate the LED display, which will show the remaining power percentage.
- Once the power is fully depleted, the power output will automatically turn off.

#### 3.2 Charging Devices

##### Using a USB-C Cable :

- The power bank will automatically detect and start charging the connected device.

##### Using the Built-in Charging Cable

- Extend the built-in cable from the power bank

- and insert it into the device's charging port.
- Ensure the correct port is used to enable automatic charging.

#### Using Wireless Charging

- Place the device that supports wireless charging on the designated charging area.
- The power bank will recognize and initiate charging automatically.

#### Using Pogo Pin Charging

- Align the power bank with the base station's pogo pins.
- The power bank will automatically start charging when docked.

### 4. Safety Precautions

- Do not disassemble or modify the power bank, as it may cause malfunction or electric shock.
- Avoid exposure to water or extreme humidity to prevent damage.
- Do not expose to high temperatures or direct sunlight for prolonged periods.

- Use only the provided cables and chargers for optimal performance and safety.
- Keep away from children and ensure proper storage when not in use.
- If the power bank overheats or emits an unusual smell, discontinue use immediately.

### 5. Troubleshooting Guide

Issue	Possible Cause	Solution
Power bank not charging	Loose connection or damaged cable	Ensure the cable is securely connected and replace if necessary
Device not charging	Incompatible device or improper placement	Verify device compatibility and adjust placement
LED display not working	Power bank is out of battery	Recharge the power bank using the provided cable
Wireless charging not functioning	Device not aligned correctly	Reposition the device properly on the wireless charging pad

### 6. Package Contents

- 3 x 10,000mAh Power Banks
- 1 x Charging Base Station
- 1 x USB-C to USB-C Cable
- 1 x User Manual



[www.portronics.com](http://www.portronics.com)

#### For Support

Visit : [www.portronics.com](http://www.portronics.com)  
 Email: [help@portronics.com](mailto:help@portronics.com)  
 Contact No. : +91 9555245245  
 (Working Hrs. : Monday - Saturday 10:00am - 6:00pm)



E-Waste Management  
 E: [info@3rrecycler.com](mailto:info@3rrecycler.com)  
 For E-Waste & ROHS compliance refer to [www.portronics.com/ewaste](http://www.portronics.com/ewaste)