

TORNADO PLUS

Handheld High-Speed Air Duster

User Manual

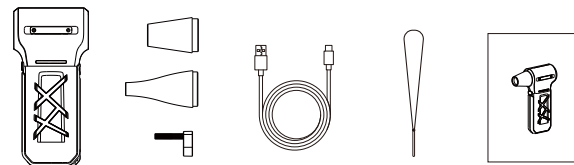
PRODUCT OVERVIEW

Tornado Plus is a powerful handheld air duster designed for efficient cleaning of dust, debris, and hard-to-reach areas. With high-speed airflow and compact design, it is ideal for keyboards, electronics, car interiors, and more.

SAFETY PRECAUTIONS

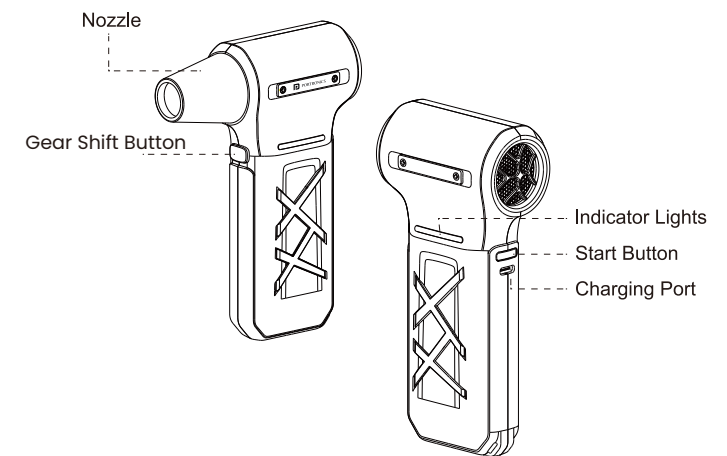
- Do not use with wet hands or near water
- Avoid blocking air inlet/outlet during operation
- Keep away from flammable gases or liquids
- Do not insert objects into the air outlet
- Do not disassemble the product
- Stop use if overheating, unusual noise, or odor occurs
- Keep away from children

PACKAGE LIST



Tornado Plus 3x Nozzles Charging Cable Lanyard User Manual

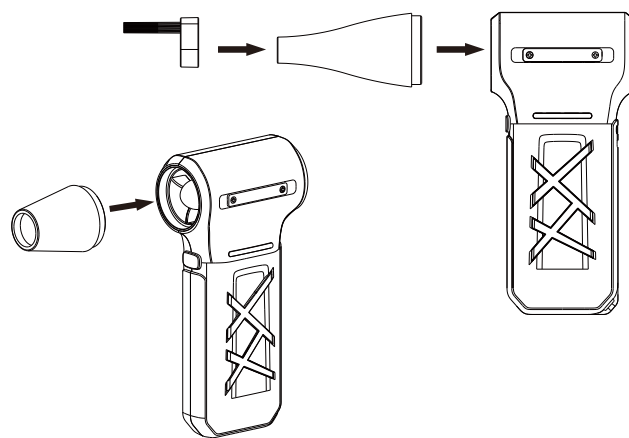
PRODUCT SPECIFICATIONS



Charging Input: 5V 2A
Charging Port: Type-C
Battery Capacity: 2x 3000 mAh

INSTALL THE AIR NOZZLE

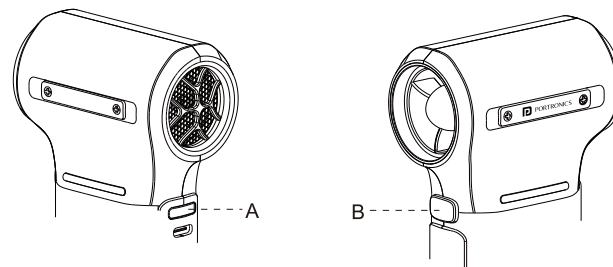
Align the selected nozzle with the front slot and push it firmly until it fits securely.



OPERATING INSTRUCTIONS

Power & Speed Control

- Single Press Start Button (A) : Turns ON the device
- Press Gear Button (B) : Product starts on low speed
- Press Gear Button Again (B) : Switches to medium speed
- Press Gear Button Again (B) : Switches to high speed
- Press Gear Button Again (B) : Turns OFF the device
- Short Press Button(A): Turns OFF the device in any speed mode



Indicator Lights Guide

- Solid Light: Fully charged / normal operation
- Flashing Quickly: Low battery / needs charging
- Slow Blinking: Charging in progress

CHARGING INSTRUCTIONS

Use a 5V/2A Type-C adapter for optimal performance
Ensure proper connection of cable and power source
Do not use damaged cables or low-quality adapters

TROUBLESHOOTING

- **The device does not work**
The battery may be low. Please charge the device and try again.
- **The indicator light does not turn on**
Make sure the power adapter is properly plugged into the power outlet and that the charging cable is securely connected to the device's Type-C port.



www.portronics.com

For Support

Visit : www.portronics.com

Email : help@portronics.com

Contact No. : +91 9555245245

(Working Hrs. : Monday - Saturday 10:00am - 6:00pm)



E-Waste Management

E: info@3recycler.com

For E-Waste & ROHS compliance
refer to www.portronics.com/ewaste