

# VAYU 3T

RECHARGEABLE TYRE INFLATOR  
WITH TRANSPARENT BODY



**USER MANUAL**

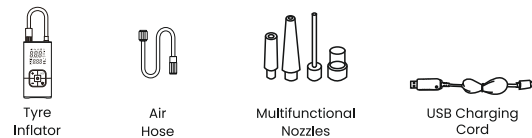
## PACKAGE CONTENTS

Thank you for choosing Vayu 3T. This portable and easy-to-use device is designed to help you inflate car tires, bicycle tires, sports balls, and more with precision and convenience. Please read this manual carefully before use to ensure safe and proper operation.

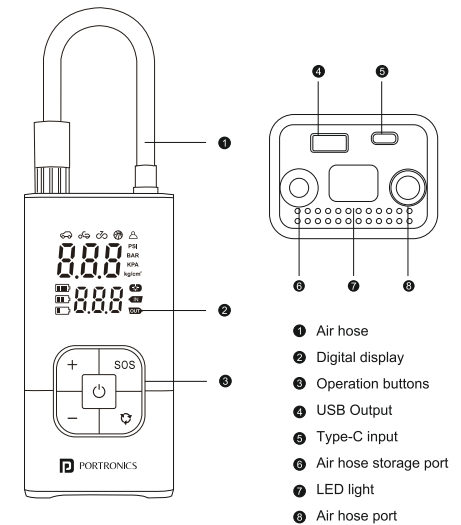
## PACKAGE CONTENTS

1. Only use the inflator for its intended applications.
2. Avoid inflating objects beyond their recommended pressure limits.
3. Do not operate the inflator in extreme temperatures or near flammable materials.
4. Keep away from children to prevent accidental operation.
5. Allow the inflator to cool down after prolonged use to prevent overheating.
6. Charge the battery fully before first use.
7. Store the inflator in a dry and ventilated place.
8. Avoid exposure to water or other liquid

## PACKAGE CONTENTS



## PHYSICAL SPECIFICATIONS



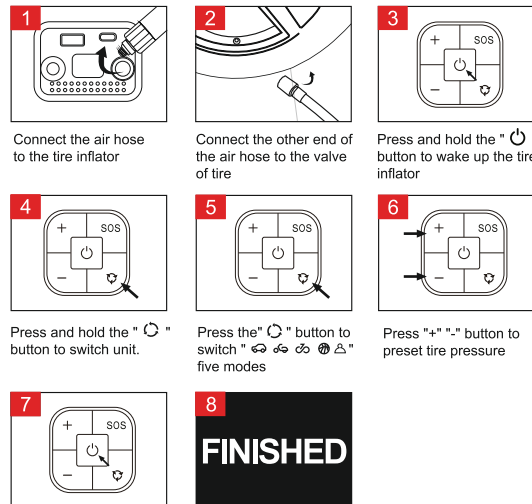
- 1 Air hose
- 2 Digital display
- 3 Operation buttons
- 4 USB Output
- 5 Type-C input
- 6 Air hose storage port
- 7 LED light
- 8 Air hose port

## TECHNICAL SPECIFICATIONS

Product version	Cordless
Product model	Vayu 3T
Voltage	7.4 V
Power	50W
Material	ABS Plastic
Charging Input	5V/2A
Charging Output	5V/1A
LED Consumption	1W

## OPERATION GUIDE

Instructions for use  
\*Please charge it fully before use



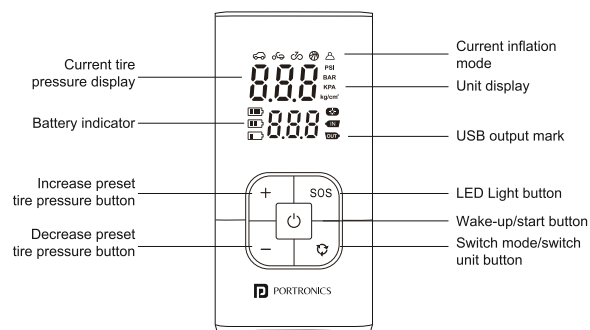
Press " " to start the tire inflator  
The tire inflator will stop automatically once tire pressure reaches preset value

## 5 BUILT-IN INFLATION MODES

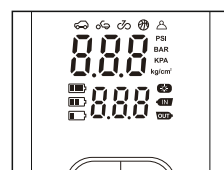


## PRESSURE PRE-SET

Press and hold " " to switch the unit. Use the "+" or "-" button to adjust the numerical value, and wait a few seconds after setting for the numbers to stop flashing. Then turn on the Start Button to start the process. The tire inflator will automatically stop inflating when it reaches the specified air pressure.



## BATTERY DISPLAY



Digital display screen has three battery modes  
First battery mark display: 100% > power > 70%  
Second battery mark display: 70% > power > 40%  
Third battery mark display: 40 > power > 10%  
Third battery mark display flashing: Battery power less than 10% , Need to recharge.

## TROUBLESHOOTING

Problem	Cause	Solution
Inflator does not start	Battery is low	Charge the battery fully
Inflation is slow	Nozzle not attached properly	Ensure a secure connection
Inflator stops suddenly	Overheating protection activated	Allow it to cool down